



A Division of Sebright Products, Inc.



Proud to offer our patented  
depackaging solution,  
the



XTRACTOR



Designed specifically to remove liquid from packaged products



Concerned about product liability or environmental regulation compliance?



Looking for a new, clean, and simple depackaging solution?



Tired of paying expensive hauling & landfill costs?

Extract liquids in many industries, including:



Fruit or vegetable processing plants



Recycling centers



Bottling plants



Food processors



Dairy processing plants



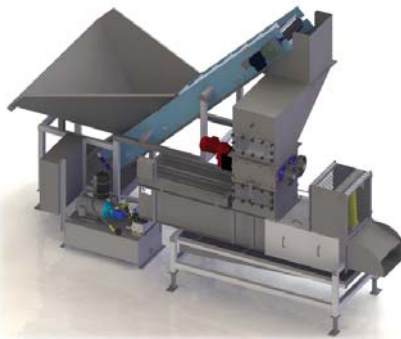
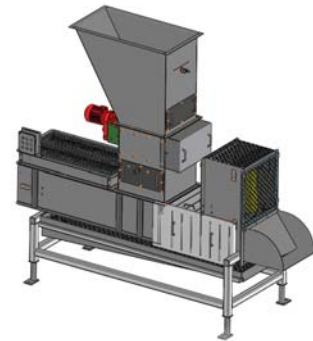
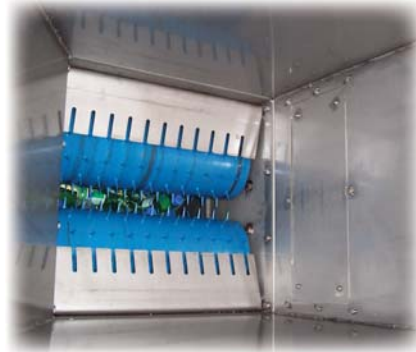
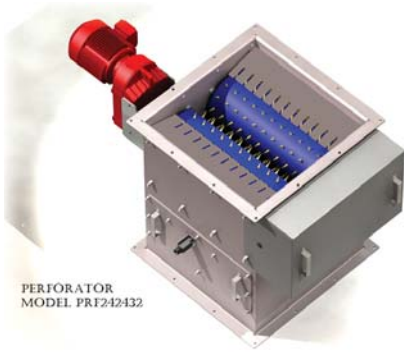
Manufacturing plants



Pharmaceutical

CALL TOLL FREE USA: 800-253-0532

# Separate the liquid from the package



## Process over 12 cubic yards of aluminum cans per hour with the Xtractor

MODEL	OVERALL LENGTH *	OVERALL HEIGHT *	OVERALL WIDTH *	FEED CHAMBER LENGTH	FEED CHAMBER WIDTH	RAM FACE HEIGHT	MOTOR
2424XTR	120"	60"	36"	24"	24"	12"	10 Hp TEFC

\* Measurements are approximate.

Due to product improvements, the manufacturer reserves the right to alter, or amend, without notice, any of these components, specifications and/or dimensions. Carbon steel machines and accessories are primer coated and finish painted. See standard color chart for available color selections.

### AVAILABLE OPTIONS:

- Automated operation
- Customized to your application
- Liquid retaining pan & plumbing systems
- Inline Perforator
- Custom feed hoppers & hydraulic cart dumpers
- Carbon or stainless steel feed conveyors



Bright Technologies, a Division of Sebright Products, Inc.  
127 N. Water St., Hopkins, MI 49328  
Phone: 269-793-7183 Fax: 269-793-8793  
Toll Free US: 800-253-0532

[www.brightbeltpress.com](http://www.brightbeltpress.com)  [www.sebrightproducts.com](http://www.sebrightproducts.com)

Complete line of Solid & Wet Waste Handling Equipment Including:

Stationary Compactors \* Self-Contained Compactors \* Precrushers \* Hydraulic Dumpers \* Densifiers \* Construction Compactors \* High Density Extruders \* Belt Filter Presses

Copyright Bright Technologies, 2007